



# Newland

## NQuire 200

### Customer Information Terminal



The NQuire 200 customer information terminal is designed to read/scan, inform and interact with your customer.

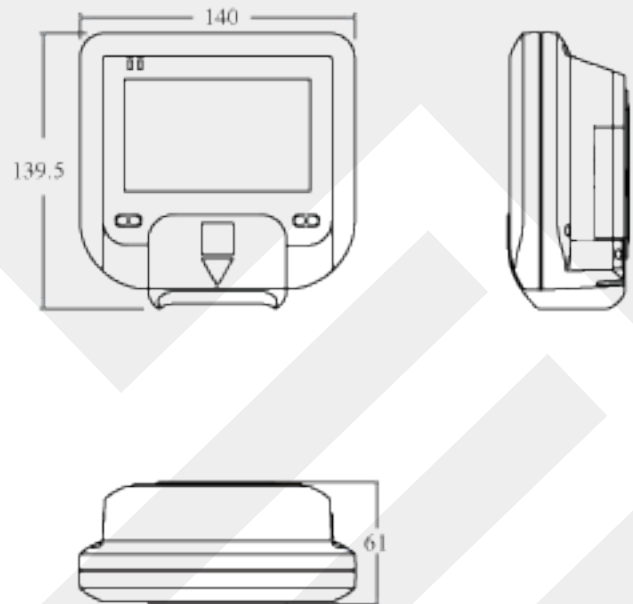
It is excellent for communicating prices, product information and loyalty points.

This small and attractive information terminal reads multiple data carriers; from 1D EAN/UPC barcodes to complex 2D barcodes of mobile phone displays. It is even possible to equip the NQuire 200 with a RFID reader!

#### Product Features

- **Data Collection**  
Through a 1D CCD or 1D/2D image engine with a RFID engine as an optional addition.
- **Value-for-Money**  
Designer and ergonomic Information Terminal which can be used as, e.g. a Price Verifier / Checker or Access Control terminal.
- **Data Transmission**  
Transmit data through Ethernet or WiFi.
- **Great Environment adaption**  
Because of its small size and the VESA 75 mountability, it can be installed virtually anywhere in a store or office.
- **External device connections**  
The external USB and GPIO ports enable the possibilities to attach a Newland hand held scanner for scanning bulky objects or to connect an entry/exit gate or door lock.
- **Power Supply**  
Charged through power adapter or Power-over-Ethernet
- **Advanced Technology**  
Includes core-technology **UIMG™**, which is independently designed and manufactured by Newland Auto-ID. **UIMG™** technology includes the optical, CMOS, digitizer, decoder, image processing & embedded systems.

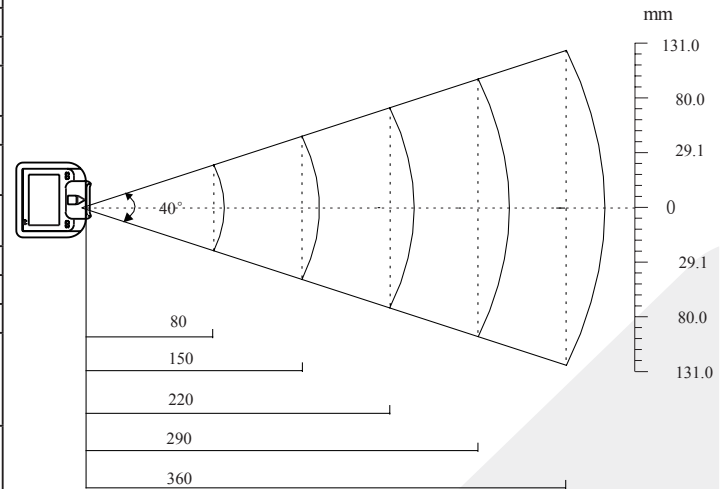
#### Dimensions (mm)



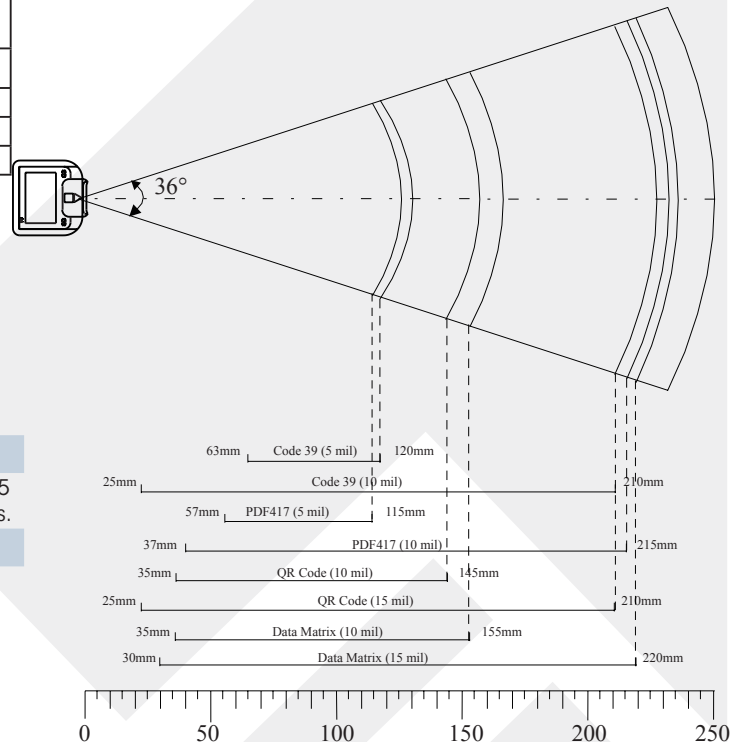
## NQuire200 Series Specifications

Specification	NQuire201	NQuire202
CPU	32-bit ARM9 CPU	
Memory	SDRAM: 32 MB	
	Flash: 8 MB	
	Support Mini SD up to 2GB (for alternative fonts)	
Display	Blue-White 240*128 pixels graphical LCD (90mm x 55mm)	
Interface	10/100 Mbps Ethernet + WiFi OR PoE	
Optional	WiFi	IEEE 802.11b/g, 2.4GHz, DSSS, 14dBm, WEP 64/128, WPA/WPA2
	RFID	Mifare (ISO 14443A)
External Ports	USB	USB Host
	GPIO	Free programmable GPIO (2 in - 2 out)
Reading Modes	CCD	Imager
Symbologies		PDF417, QR Code, Data Matrix, Aztec, Vericode, Chinese-Sensible Code
		Code128, EAN-13, EAN-8, Code39, UPC-A, UPC-E, GS1 Databar, Codabar, Interleaved 2 of 5, China post 25, ISBN/ISSN, Code93, etc.
Precision	≥4 mil	≥3 mil
Power	Adapter	12DC, 2000mA
	P-o-E	Power-over-Ethernet IEEE 802.3af (Optional)
Environment	Op. Temp.	-5°C ~ + 45°C
	St. Temp.	-20°C ~ + 55°C
	Operate Humidity	5% - 90% (no condensation)
	Storage Humidity	5% - 95% (no condensation)
Weight	440g	
Dimensions	140 mm(H) * 140 (W)mm * 60 (D) mm	
Operation System	Linux Kernel 2.6.25	
Certifications	FCC, CE	

## NQuire201 Decode Zones



## NQuire202 Decode Zones



## Accessories

### VESA Mount

VESA 75 Mount The NQuire 200 complies with standard VESA 75 brackets enabling easy mounting on shelves and walls.

### Power

The power adapter for NQuire200 Series.

ADP005 Output: DC12V, 2A; Input AC100~240V, 50~60HZ.

## Applicable Accessories

### Configuration tools

The NQuire 200 uses an internal webserver for configuration. This eliminates Operating System restrictions.

