



Newland

NQuire 230

Customer Information Terminal with touch screen



The NQuire 230 customer information terminal is designed to read/scan, inform and interact with your customer.

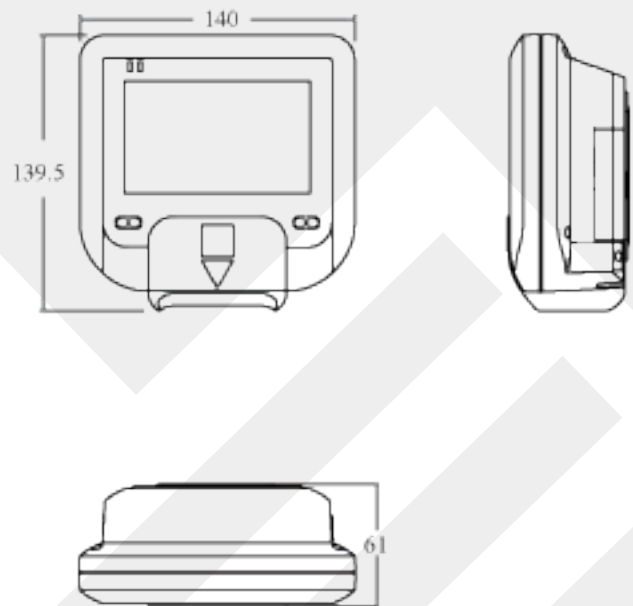
As it has a touch screen, you can use it as an interactive price verifier, access control terminal, time & attendance terminal, lottery ticket verifier and more...

This small and attractive information terminal reads multiple data carriers; from 1D EAN/UPC barcodes to complex 2D barcodes of mobile phone displays. It is even possible to equip the NQuire 230 with a RFID reader!

Product Features

- **Data Collection**
Through a 1D CCD or 1D/2D image engine with a RFID engine as an optional addition.
- **Customer interaction**
You can interact with your customer via the touch screen with up to 16 free definable "buttons". With this, you can show, for example, a keypad, more information or scroll up and down.
- **Value-for-Money**
Designer and ergonomic Information Terminal which can be used as, e.g. a Price Verifier / Checker or Access Control terminal.
- **Data Transmission**
Transmit data through Ethernet or WiFi.
- **Great Environment adaption**
Because of its small size and the VESA 75 mountability, it can be installed virtually anywhere in a store or office.
- **External device connections**
The external USB and GPIO ports enable the possibilities to attach a Newland hand held scanner for scanning bulky objects or to connect an entry/exit gate or door lock.
- **Power Supply**
Charged through power adapter or Power-over-Ethernet
- **Advanced Technology**
Includes core-technology **UIMG™**, which is independently designed and manufactured by Newland Auto-ID.

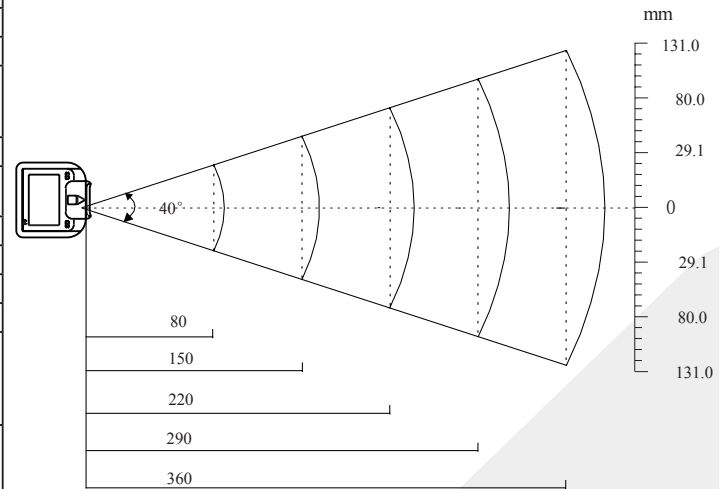
Dimensions (mm)



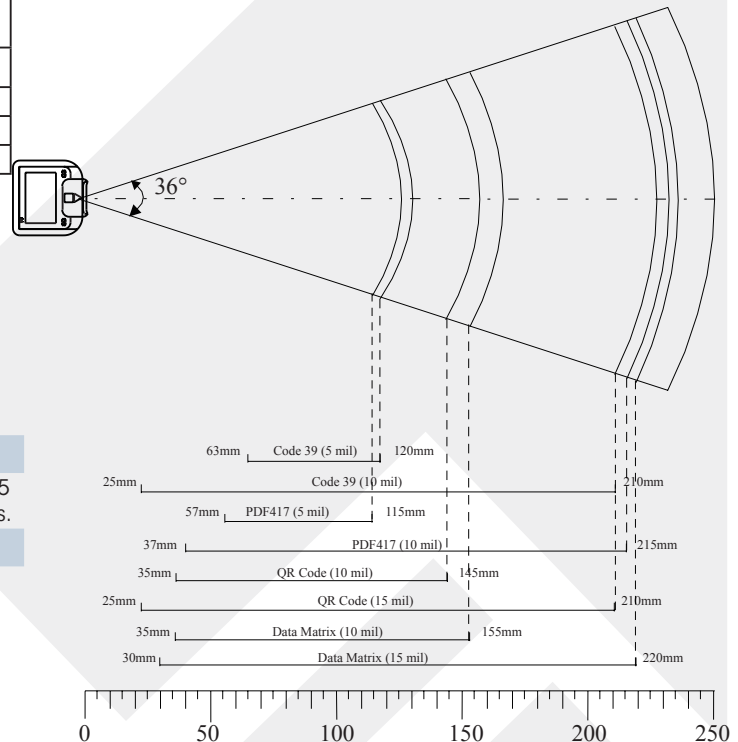
NQuire230 Series Specifications

Specification	NQuire231	NQuire232
CPU	32-bit ARM9 CPU	
Memory	SDRAM: 32 MB	
	Flash: 8 MB	
	Support Mini SD up to 2GB (for alternative fonts)	
Display	Blue-White 240*128 pixels graphical LCD (90mm x 55mm) with up to 16 free definable touch buttons	
Interface	10/100 Mbps Ethernet + WiFi OR PoE	
Optional	WiFi	IEEE 802.11b/g, 2.4GHz, DSSS, 14dBm, WEP 64/128, WPA/WPA2
	RFID	Mifare (ISO 14443A)
External Ports	USB	USB Host
	GPIO	Free programmable GPIO (2 in - 2 out)
Reading Modes	CCD	Imager
Symbologies		PDF417, QR Code, Data Matrix, Aztec, Vericode, Chinese-Sensible Code
		Code128, EAN-13, EAN-8, Code39, UPC-A, UPC-E, GS1 Databar, Codabar, Interleaved 2 of 5, China post 25, ISBN/ISSN, Code93, etc.
Precision	≥4 mil	≥3 mil
Power	Adapter	12DC, 2000mA
	P-o-E	Power-over-Ethernet IEEE 802.3af (Optional)
Environment	Op. Temp.	-5°C ~ + 45°C
	St. Temp.	-20°C ~ + 55°C
	Operate Humidity	5% - 90% (no condensation)
	Storage Humidity	5% - 95% (no condensation)
Weight	440g	
Dimensions	140 mm(H) * 140 (W)mm * 60 (D) mm	
Operation System	Linux Kernel 2.6.25	
Certifications	FCC, CE	

NQuire231 Decode Zones



NQuire232 Decode Zones



Accessories

VESA Mount

VESA 75 Mount The NQuire 230 complies with standard VESA 75 brackets enabling easy mounting on shelves and walls.

Power

The power adapter for NQuire200 Series.

ADP005 Output: DC12V, 2A; Input AC100~240V, 50~60HZ.

Applicable Accessories

• Configuration tools

The NQuire 230 uses an internal webserver for configuration. This eliminates Operating System restrictions.

